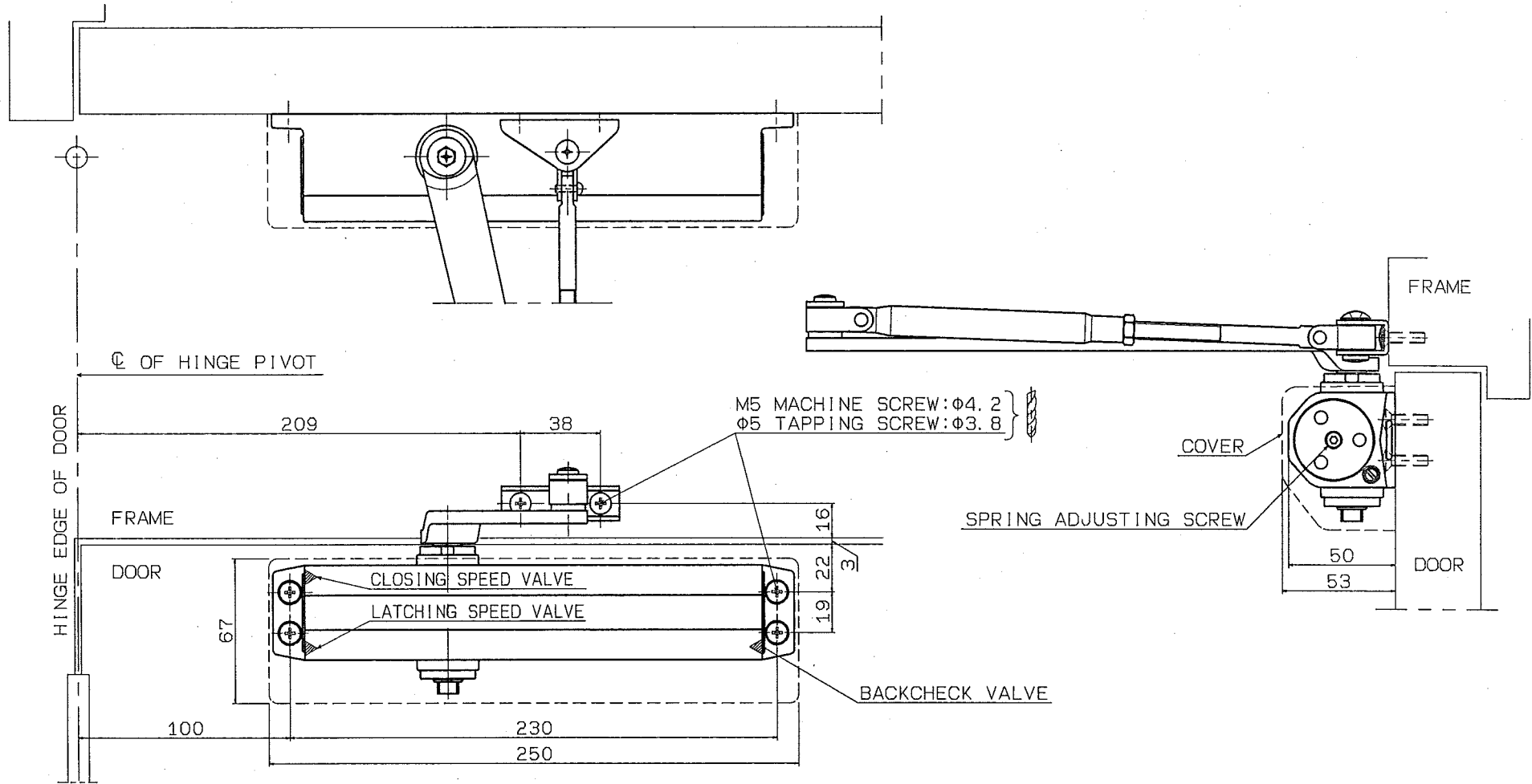


Without hold-open	Maximum door weight	Maximum door width
D-2550	20~80kg	750~1100mm

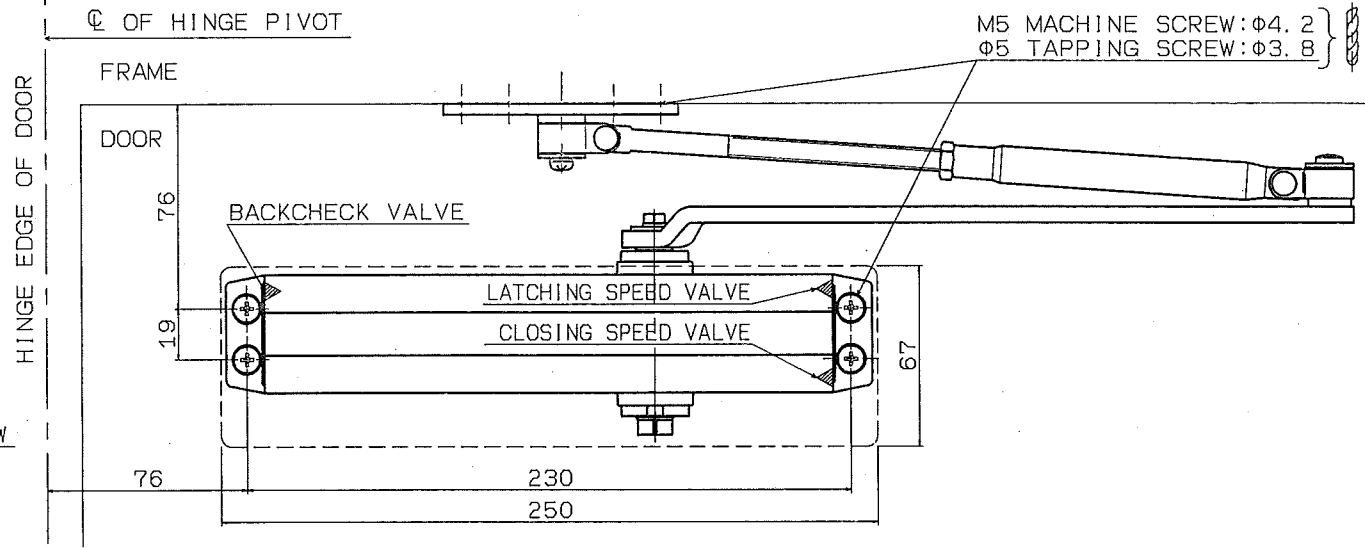
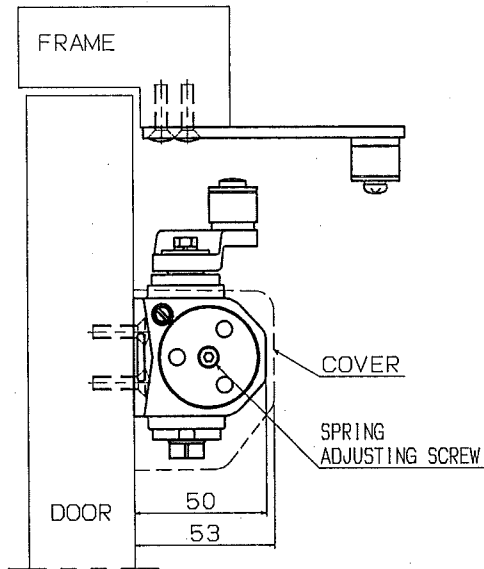
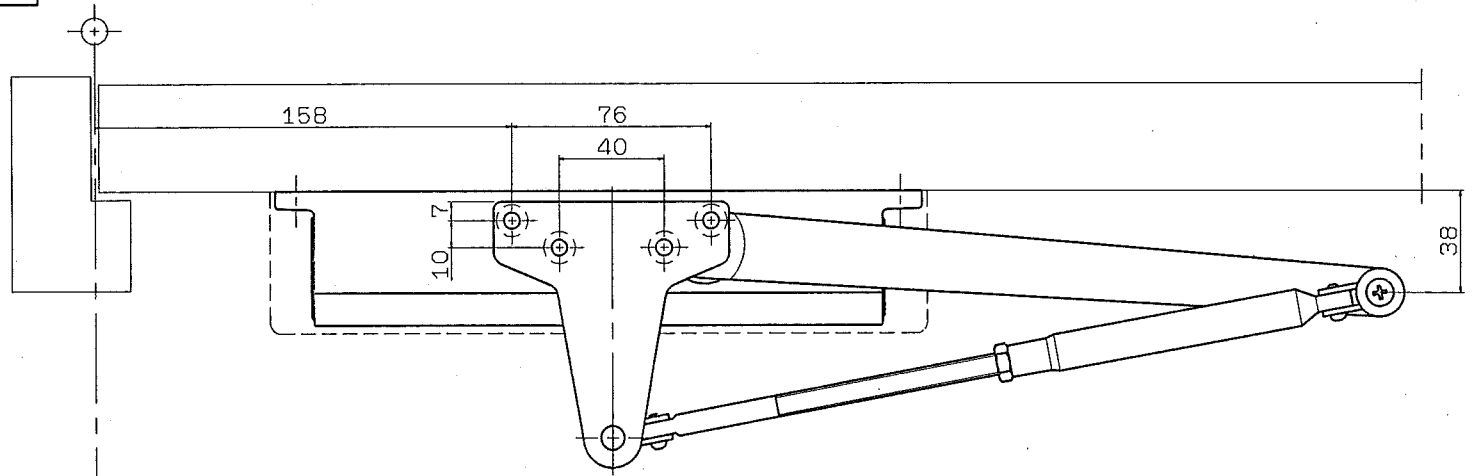
- Spring adjustable type
- With backcheck



RYOBI LIMITED	PRODUCTS	APPLICATION	MODEL No.	DATE	REV.
	DOOR CLOSER	Standard	D-2550	08/30/2018	

Without hold-open	Maximum door weight	Maximum door width
D-2550P	20~60kg	750~950mm

- Spring adjustable type
- With backcheck

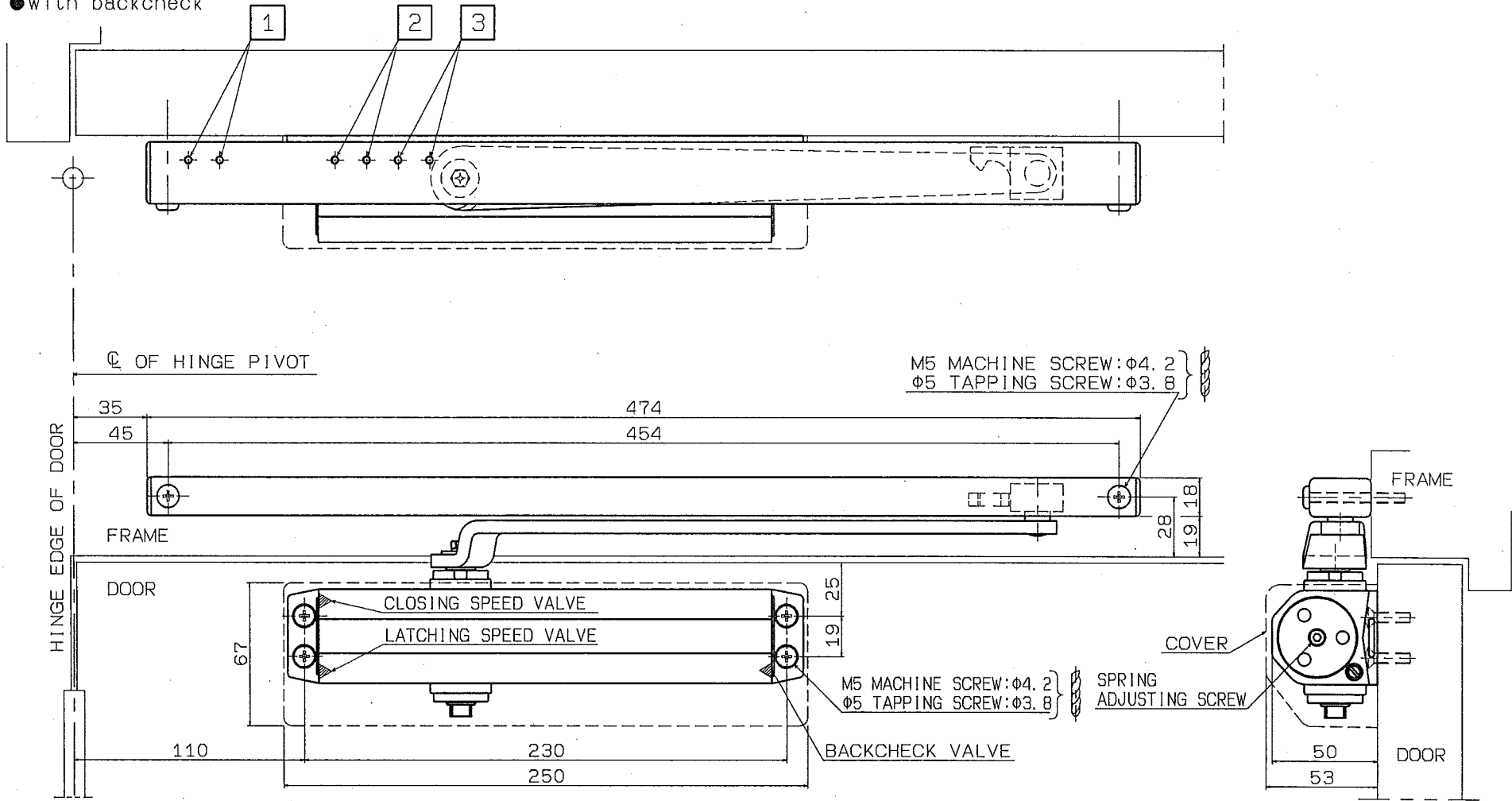


RYOBI LIMITED	PRODUCTS	APPLICATION	MODEL No.	DATE	REV.
	DOOR CLOSER	Parallel arm	D-2550P	08/30/2018	

Without hold-open	With hold-open	Maximum door weight	Maximum door width
D-2550T	DS-2550T	20~40kg	750~850mm

Hold-open device installation position	1	2	3
Maximum opening angle	120°	92°	83°

- Spring adjustable type
- With backcheck



RYOBI LIMITED	PRODUCTS	APPLICATION	MODEL No.	DATE	REV.
	DOOR CLOSER	Track-rail arm	D-2550T, DS-2550T	08/30/2018	